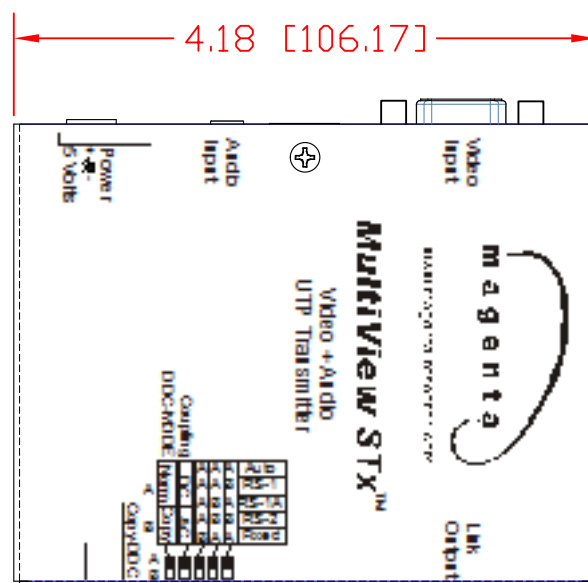
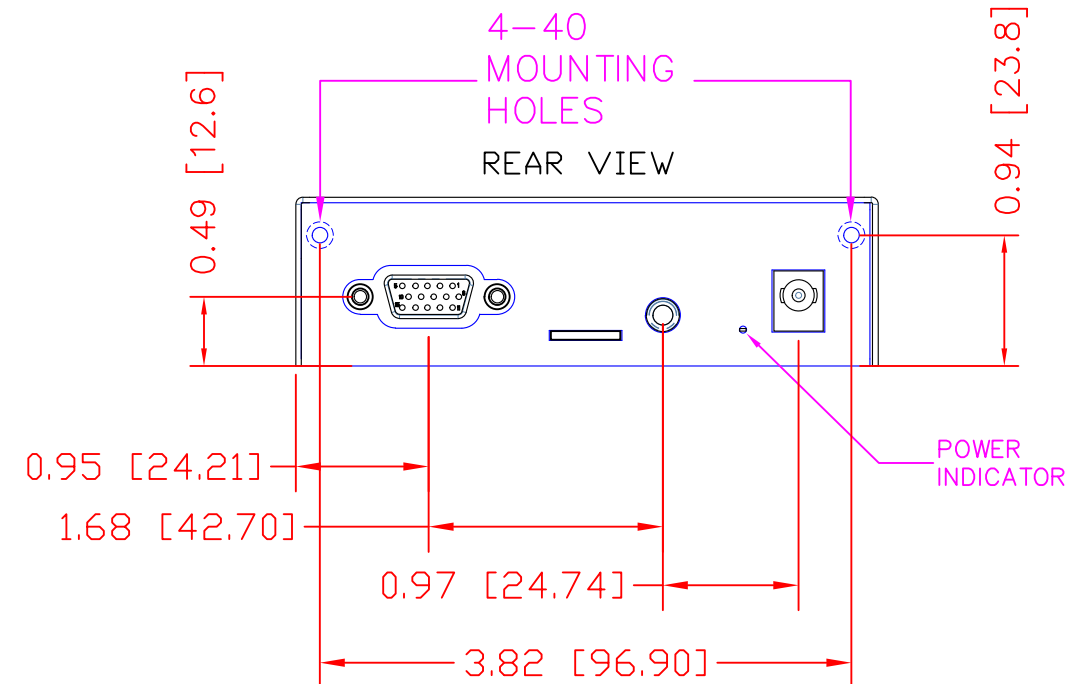
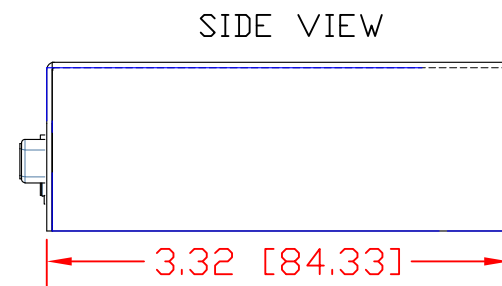
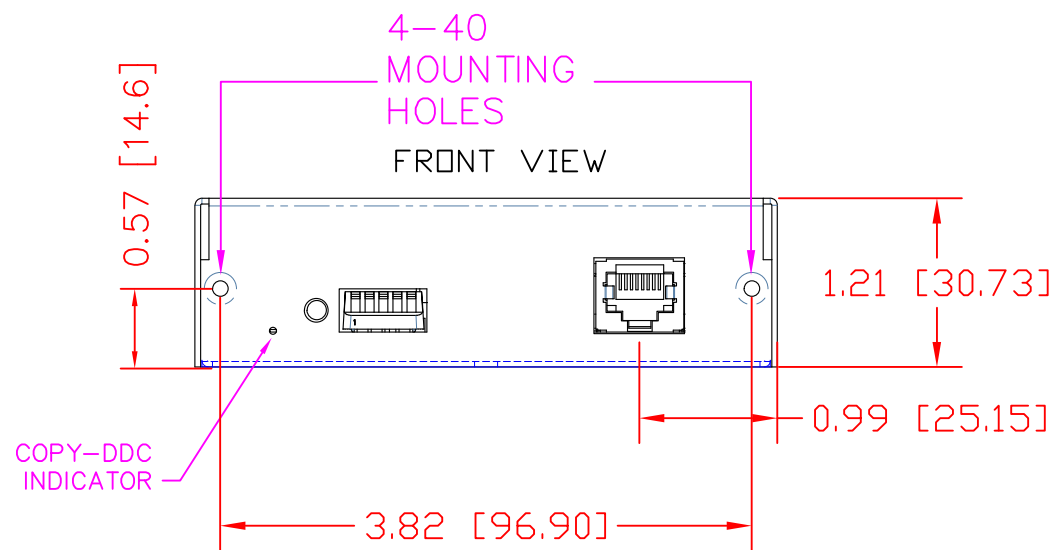


1. THIS PRODUCT IS RoHS COMPLIANT
2. THIS PRODUCT TESTED TO COMPLY WITH FCC STANDARD, CLASS A DEVICE
3. THIS PRODUCT IS CE COMPLIANT

REVISION RECORD				
REV.	PRJ/ECN/ER NO.	DESCRIPTION	DATE	APPVD.
01	1007/6370/0018	Initial Release	7/14/11	EC



REMOVE ALL BURRS AND BREAK ALL SHARP EDGES	MATERIAL -	DRAWN MPM	DATE 09/08	 128 Litchfield Rd. New Milford, CT 06776 (860)210-0546 www.magenta-research.com
UNLESS OTHERWISE SPECIFIED ALL DIMENSIONS ARE IN INCHES AND (METRIC). TOLERANCES ARE AS FOLLOWS:	FINISH -	CHECKED	ENGR	
FRACTIONS DECIMALS ANGLES	PROPRIETARY TO MAGENTA RESEARCH LTD. NOT TO BE USED OR REPRODUCED FOR MANUFACTURING PURPOSES EXCEPT ON MAGENTA RESEARCH ORDER OR PRIOR TO WRITTEN CONSENT.	APPVD	APPVD	
± 1/64 .XX ±.01 ± 1/2°	FILE	SIZE C	DRAWING NO. 2500005-02	TITLE SALES DRAWING MVII-STX
.XXX ±.005		SCALE NONE	DO NOT SCALE DRAWING	REV 01 SHEET 1 OF 1